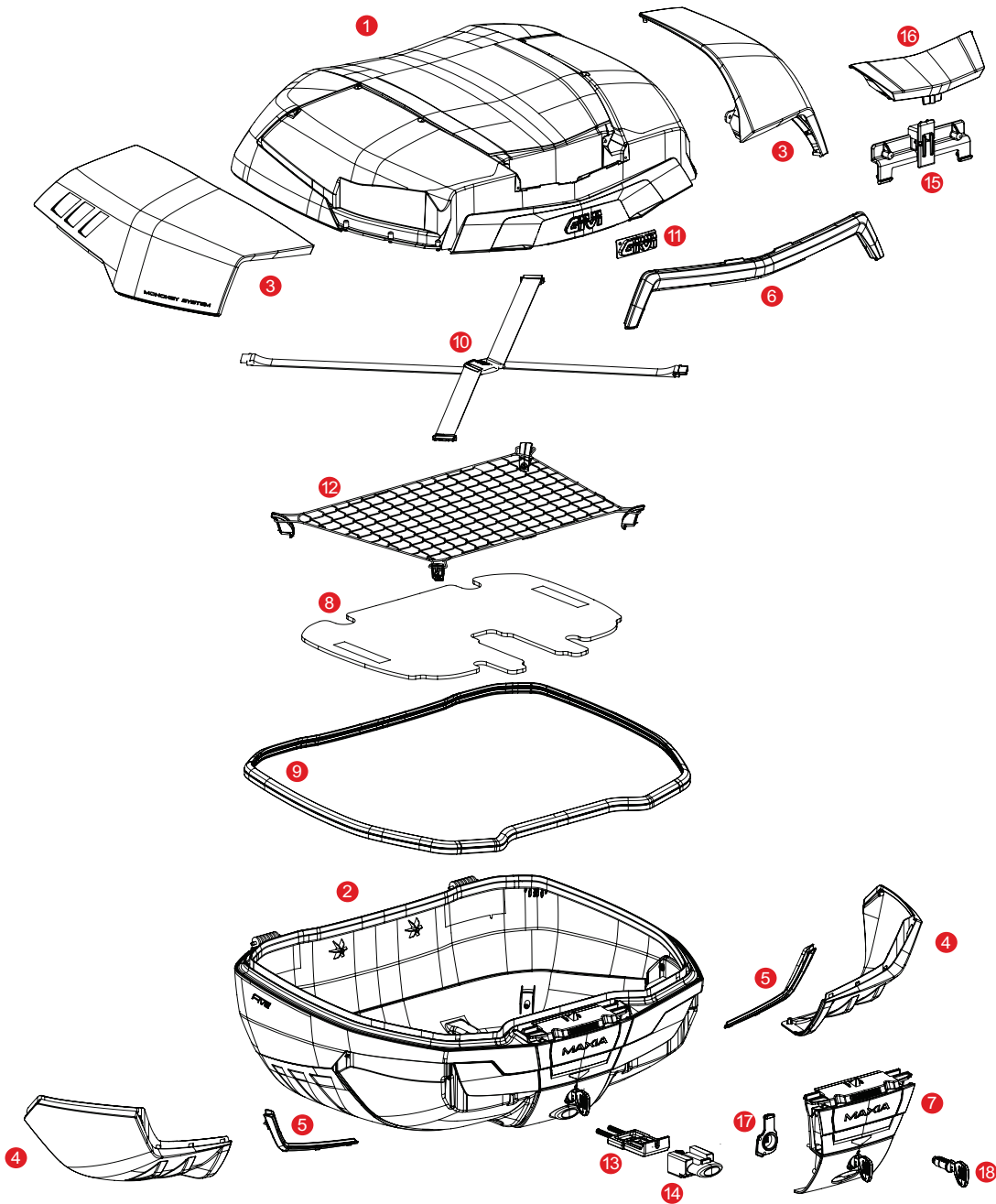


V58N / V58NN / V58NT / V58NNT MAXIA 5



1	ZV58CNM	V58N-V58NT-V58NN-V58NNT assembled Top Shell, without cover and reflector		
2	ZV58FNM	V58N-V58NT-V58NN-V58NNT assembled Bottom Shell, without cover and moulding		
	Z6592R	Pair of black Top Shell covers V58NN - V58NNT		
	Z6593R	Pair of black Bottom Shell covers V58NN - V58NNT		
6	Z6588R	Red reflector with subreflector and foam		
7	Z6586MR	Lock set		
8	Z6516R	Inner carpet		
9	Z795R180	Trim		

10	Z2170R	Elastic belt		
11	Z229	Chromed GIVI brand		
12	Z8247R	Inner elastic cargo net with hooks		
13	Z1782R	Bolt + Bolt Springs		
14	Z206NR	Button + Button Spring (for TECH version)		
15	Z6590R	Top-case tooth catch mechanism		
16	Z6585R	Black central top faceplate		
17	Z4514R	Plate below lock for Security Lock key		
	SL101	Security lock set including cylinder, 2 keys, bush and under lock platelets		