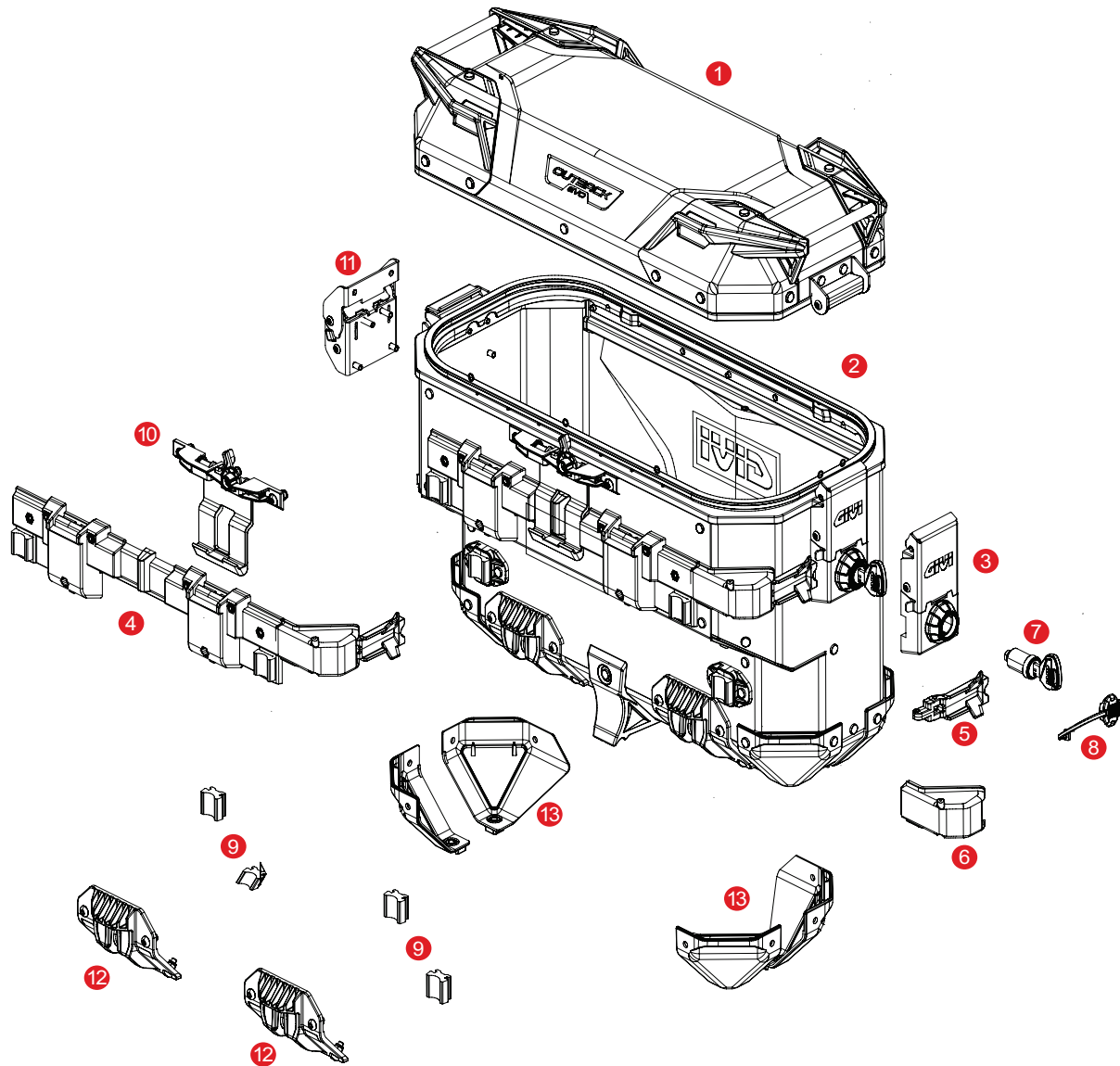


TREKKER OUTBACK EVO OBKE48A / OBKE48B / OBKE37A / OBKE37B / OBKES33A / OBKES33B - SIDE-CASE



1	ZOBKE48ACM	OBKE48AL-OBKE48AR assembled Top Shell silver aluminium		
	ZOBKE48BCM	OBKE48BL-OBKE48BR assembled Top Shell black aluminium		
	ZOBKE37ACM	OBKE37AL-OBKE37AR-OBKES33AR assembled Top Shell silver aluminium		
	ZOBKE37BCM	OBKE37BL-OBKE37BR-OBKES33BR assembled Top Shell black aluminium		
2	ZOBKE48ALFM	OBKE48AL assembled Bottom Shell silver aluminium, left		
	ZOBKE48ARFM	OBKE48AR assembled Bottom Shell silver aluminium, right		
	ZOBKE48BLFM	OBKE48BL assembled Bottom Shell black aluminium, left		
	ZOBKE48BRFM	OBKE48BR assembled Bottom Shell black aluminium, right		
	ZOBKE37ALFM	OBKE37AL assembled Bottom Shell silver aluminium, left		
	ZOBKE37ARFM	OBKE37AR assembled Bottom Shell silver aluminium, right		
	ZOBKE37BLFM	OBKE37BL assembled Bottom Shell black aluminium, left		
	ZOBKE37BRFM	OBKE37BR assembled Bottom Shell black aluminium, right		

	ZOBKES33ARFM	OBKES33AR assembled Bottom Shell silver aluminium, right		
	ZOBKES33BRFM	OBKES33BR assembled Bottom Shell black aluminium, right		
3	Z4822SXMR	Left hinge stop		
	Z4822DXMR	Right hinge stop		
4	Z8155SXMR	CAM-SIDE fitting system, left		
	Z8155DXMR	CAM-SIDE fitting system, right		
5	Z4831R	Aluminium release lever for Trekker Outback EVO 48 ltr		
	Z4830R	Aluminium release lever for Trekker Outback EVO 37 ltr, Trekker Outback EVO 33 ltr		
6	Z4812R	Angled cover		
7	SL101	Security lock set including cylinder, 2 keys, bush and under lock platelets		
8	Z8032R	Dustproof cap		
9	Z4811R	Set of 4 rear rubber cushions		
10	Z8157MR	Top case inclined system		
11	Z8169R	Top-shell side rotation hinges		
12	Z9936MR	Pair of lower fitting spaces		
13	Z4997R	External bottom angled kit		