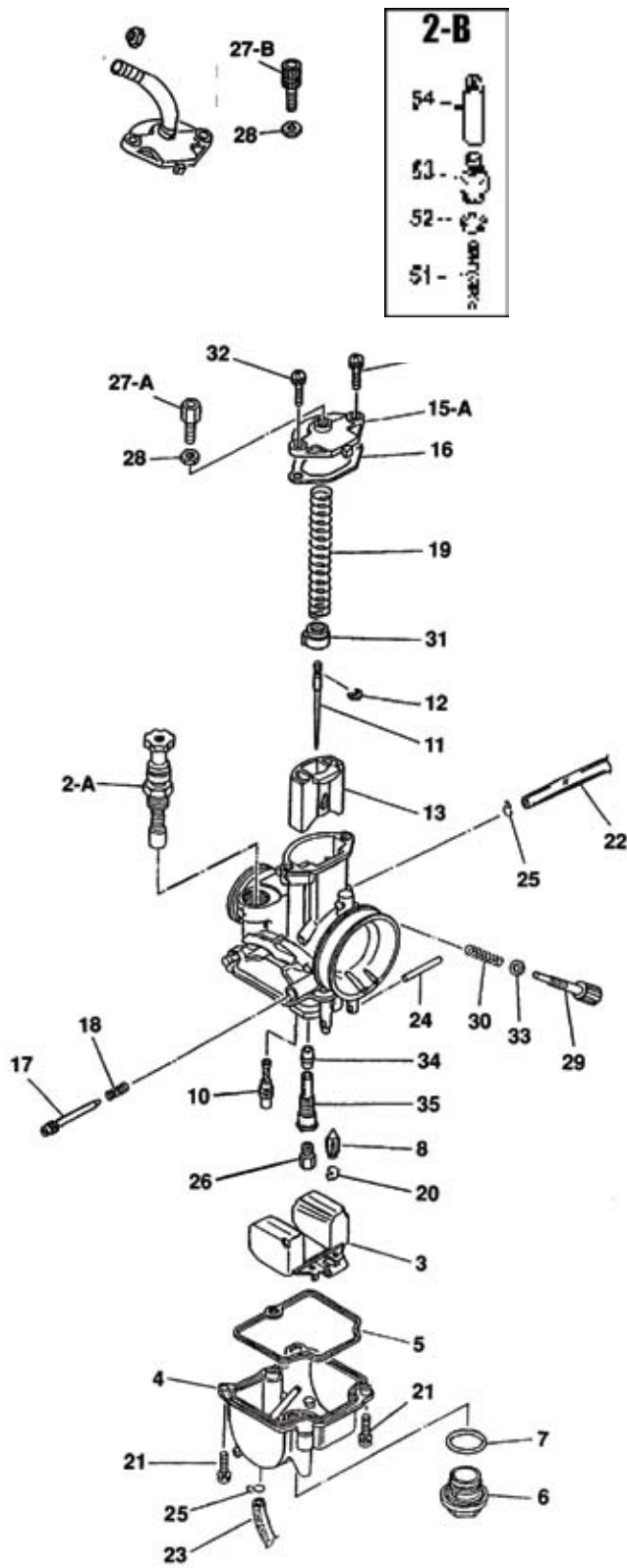
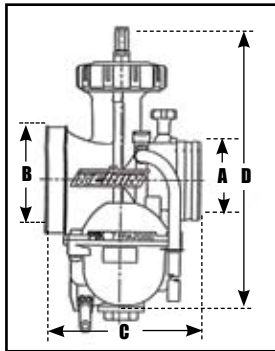


Exhaust
Chemicals
Intake
Control
Suspension
Engine
Electrical
Vintage
Tools
Watercraft



Float Height
19mm



NOTE: Do not remove parts that are not shown on this extended view.

PWK28 Carburetor Dimensions

Size (mm)	A	B	C	D
PWK28	49	35	83	147.4

PWK28 Standard Jetting Specifications

Size (mm)	Main Jet	Slow Jet	Jet Needle	Throttle Valve	Float Height	Order No.
PWK28	#135	#38	46JJH	3.5	19mm	016-144

Exhaust
Chemicals
Intake
Control
Suspension
Engine
Electrical
Vintage
Tools
Watercraft

PWK28 Replacement Parts

Keihin Part No. Highlighted in **BOLD RED** are included in rebuild kit.

No.	Description	Keihin No.	Order No.
2A.	Starter Valve (pull knob) Complete	1166-818-2100	018-500
2B.	Choke Cable System Complete		018-501
	*See individual parts with asterisk *50, *51, *52, *53, *54		
3.	Float	W1310-080-9901	018-397
4.	Float Bowl Complete	N350-03A00	018-575
5.	Gasket, Float Bowl	W1354-042-9900	018-406
6.	Plug Screw	16162-ND4-7511-M1	018-128
7.	O-Ring, Plug Screw	16173-001-0040	018-664
8.	Float Valve Complete	W1362-020-9901	018-389
10.	Slow Jet	N424-21-xxx	Pg.71
11.	Jet Needle	N427-46-xxx	Pg.70
12.	Clip, Jet Needle	16115-169-0040	018-033
13.	Throttle Valve	N502-11H00 #3.5	018-582
	Throttle Valve, Chrome (see chart)	N502-52H00 #3.5	018-590
15A.	Top Cover	1030-844-2000	021-575
15B.	Top Cover (option)	1030-843-2200	021-586
16.	Gasket, Top	1202-837-2000	018-566
17.	Air Adjust Screw	W1446-231-9900	018-089
18.	Spring, Air Adjust Screw	W1711-416-9900	018-090
19.	Spring, Throttle Valve	1290-921-2000	018-532
20.	Clip, Float Valve	0405-013-1000	021-576
21.	Screw, Float Bowl	N114-04160	021-577
22.	Bowl, Vent Pipe	W9404-40090	021-578
23.	Overflow Pipe	95003-07042-31	018-534
24.	Float Pin	W9525-25250	018-670
25.	Clip	W9535-35000	018-098
26.	Main Jet (hex type)	99101-357-xxx	Pg.73
26A.	Main Jet SDGAA (round type)	99101-393-xxx	Pg.73
27A.	Cable Adjuster	W9581-59250	018-005
27B.	Cable Adjuster	1036-804-2000	018-542
28.	Nut, Cable Adjuster	W1793-130-9900	018-008
29.	Idle Adjuster	1034-831-2000	018-568
29.	Idle Adjuster (for Chrome T/V)	1034-853-2000	018-569
30.	Spring, Idle Adjuster	1290-923-2000	018-562
30.	Spring, (for Chrome T/V)	1290-963-2000	018-574
31.	Collar, Throttle Spring	1022-805-7000	018-564
32.	Screw, Top Cover	N114-04140	021-580
33.	Washer, Idle Adjuster	0301-078-1200	021-101
34.	Needle Jet	16164-169-0040	018-560
35.	Needle Jet Holder SDGAA	N413-11A00	
35A.	Needle Jet Holder	N413-12A00	021-581
*50.	Starter Valve (Choke Plunger)	W1275-028-9901	021-512
*51.	Spring	1290-922-2000	021-582
*52.	O-Ring,	0901-069-6000	021-527
*53.	Cable Holder	W1551-140-9900	021-583
*54.	Cap	16118-166-0040	018-002

Note: If you see "SDGAA" on your carburetor's stamped portion, your main jet and needle jet holder have to be #parts 26A and 35.

PWK 28 Throttle Valve Chart

	Cutaway	Keihin No.	Order No.
Rich ↑ ↓ Lean	1.0	N502-52B00	018-584
	2.0	N502-52C00	018-585
	3.0	N502-52D00	018-586
	3.5 (Std)	N502-52H00	018-590
	4.0	N502-52D00	018-587
	5.0	N502-52F00	018-588
	6.0	N502-52G00	018-589



Sudco PWK 28 Carburetor Rebuild Kit

Sudco rebuild kit for the Keihin PWK28 contains GENUINE Keihin replacement parts. Sold as a kit. **Order No. 020-112**

Exploded

View No.	Qt	Contents
5.	1	Gasket, Float Bowl
7.	1	O-Ring, Plug Screw
8.	1	Float Valve Complete
12.	1	Clip, Jet Needle
16.	1	Gasket, Top
17.	1	Air Adjust Screw
18.	1	Spring, Air Adjust Screw
20.	1	Clip, Float Valve
21.	1	Screw, Float Bowl
24.	1	Float Pin
29.	1	Idle Adjuster (for Chrome T/V)
30.	1	Spring, (for Chrome T/V)
32.	1	Screw, Top Cover



Sudco Choke Cable System for all PWK's

Includes parts **A thru F**, listed below. All PWK carburetors.

Order No. 018-501

A.	Cable Sealing Cap	16118-166-0040	018-002
B.	Choke Plunger	W1275-028-9901	021-512
C.	Choke O-Ring	0901-069-6000	021-527
D.	Spring	1290-922-2000	021-582
E.	Cable Holder	W1551-140-9900	021-583